

# PRE-SORTING TABLES

Stainless steel tables, 900 mm high. Top 1,5 mm thick lined with sealed double sided laminate panel and 2 or 3 waste disposal holes Ø 190 - 280 mm with grey rubber surround. Stainless steel tubular legs Ø 45 mm fitted with screw jacks with non-slip ends. Tables supplied with bag holder 800 mm high without lid, rear guide. Central tables: rounded worktop front and back. Wall tables: rounded worktop front and upstand, height 100 mm.

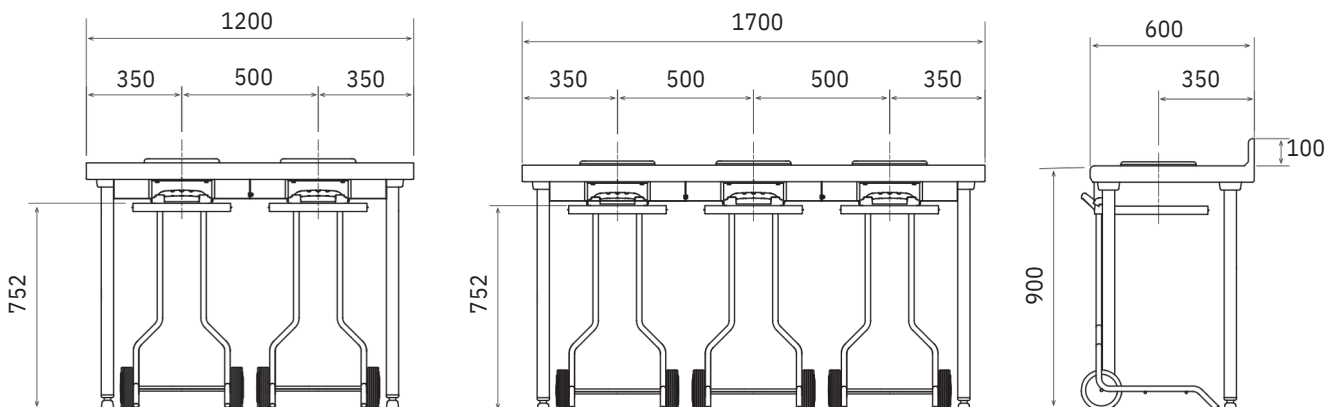
**THE  
TOURNUS  
ASSET**

- **Hygiene :** welded corners to prevent any build-up of dirt.
- **Rigidity :**
  - welded corners
  - double rigidity by a panel with double side adhesive coating and seal on the edge.
- **Very rigid assembly:** self-blocking interlocking.
- **Safety:** radiused, flattened, closed edges to prevent any risk of injury.

Description	Dimensions L x l x H (mm)	Reference
Pre-sorting table with 2 bag holders	1200 x 600 x 900	507 531
Pre-sorting table with 3 bag holders	1700 x 600 x 900	507 532
Wall table with upstand with 2 bag holders	1200 x 600 x 1000	507 537
Wall table with upstand with 3 bag holders	1700 x 600 x 1000	507 538



**Table with tray rest, to consult us: requires a specific work.**  
**Table with ramp, special manufacture, contact us: requires a specific launch, with safety crutches.**



507 538



507 537

# EXTRA



702 064J	702 064R	702 064V	702 064B
----------	----------	----------	----------

## Surrounds

Description	Reference
Replacement when ordering a grey rubber surround for a coloured surround :	
Extra for yellow rubber surround	702 064 J
Extra for red rubber surround	702 064 R
Extra for green rubber surround	702 064 V
Extra for blue rubber surround	702 064 B

## Miscellaneous



Bag holder



Removable bag to be fitted on bag holder structure

Description	Reference
Extra bag holder, 800 mm high for central pre-sorting units and pre-sorting tables	<u>804 460</u>
Extra bag holder, 620 mm high for wall-mounted pre-sorting units for adults	<u>804 471</u>
Removable bag to be fitted on bag holder structure	<u>118 845</u>
Labels for sorting waste 5 colours	<u>296 298</u>
Extra/reduction for addition/removal of waste disposal hole, per unit <b>(1)</b>	701 102
Extra/reduction for addition/removal of recess for racks <b>(1)</b>	702 042
Extra/reduction for addition/removal of cut-out for 3 containers <b>(1)</b>	702 062

**(1)** Grey rubber as standard.