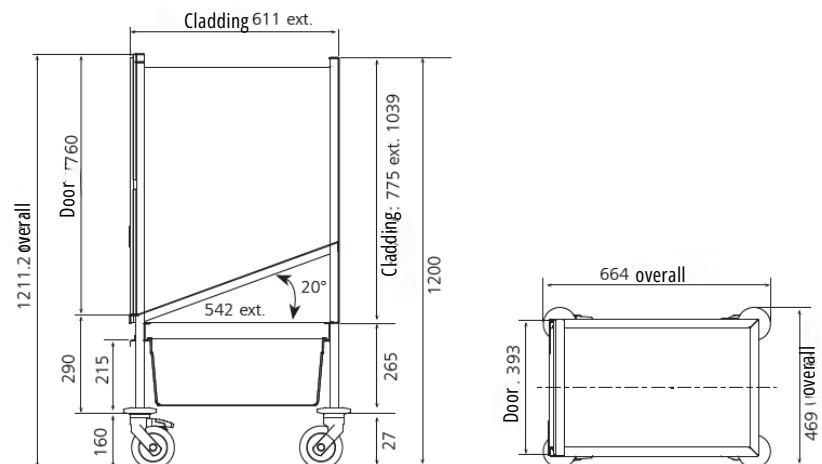


The educational solution to reduce bread waste

Eco Pain was designed as an incentive tool to teach pupils from an early age to control their bread consumption. The product has two sliders, the first of which is used to set the initial amount of waste, and the second to set the target amount of bread to be discarded at the end of the period.

Combined with a more efficient organisation of bread distribution upstream at the self-service line, Eco Bread helps raise awareness among staff and pupils to gradually reduce the amount of uneaten bread, thereby freeing up additional resources for the organisation of meals in the establishment.

Description	Dimensions LxIxH (mm)	Reference
Trolley l'Eco Pain	664x468x1200	507 560



Capacity
150 litres

Trolley "L'Eco Pain" comes in the form of a trolley with three stainless steel sides. The top, 1.20 metre high, is open to make it easier for schoolchildren to sort.

The front the trolley has a Plexiglas guillotine door with a handle. A translucent polypropylene container on sliders in the bottom part is designed to be hooked beneath the door to collect and discharge pieces of bread. The bottom of the stainless steel trolley is tilted to make discharge easier.

Two magnetic cursors - one red and the other green - show a maximum level for the red, and the target level or lowest level recently reached for the green.

The Bread Saver has four swivel wheels with bumper rings, two of which are fitted with brakes.

