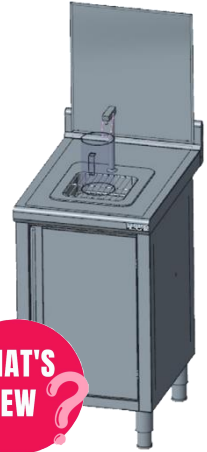


Ambient water dispenser

Water dispensers in the catering industry are good for everyone's health and well-being, as well as for the environment. By placing a tempered water dispenser in strategic locations, you can offer students and staff the chance to quench their thirst quickly and easily, thanks to easy access to drinking water.

Tournus Equipement has developed 2 simple and intuitive models of water dispensers: a water dispenser that fits into Tournus base units and a wall-mounted water dispenser.



WHAT'S NEW ?

Common advantages:



Easy to use:

push-button integrated into the tap. Intuitive operation, suitable for catering.



Water saving:

- Controlled dispensing, without wasting water.
- Controlled distribution, no constant pressure on the dispensing tap.
- Water flow rate depends on mains pressure and size of containers used (15 to 20 seconds to fill 1.5 litres).



Energy savings:

no cooling unit.



Easy installation and maintenance:

No need to check or replace cooling parts.



Durability and reliability:

All food grade stainless steel construction Equipment, certified "Origine France Garantie" (of guaranteed French origin).



Easy-to-clean deep-drawn sink:

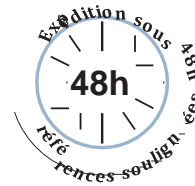
removable stainless steel grid.



Generously dimensioned stainless steel backsplash :

Possibility of sticking or magnetising a visual.





Consult'Express



Jugs can be stored in the base unit

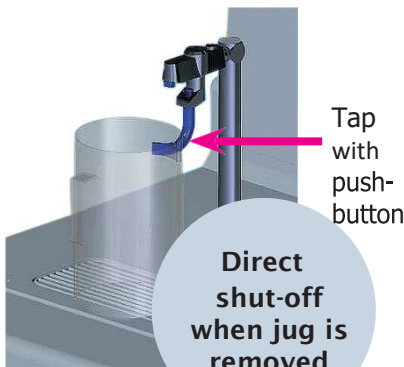
WATER DISPENSER BUILT INTO BASE UNIT

The water dispenser is **factory-fitted to all Tournus base units***. Several models available: Width 600 or 700 mm. Height 900 mm (adults), height 720 mm (children): please contact us.

Water dispenser kit: built-in stainless steel sink, overall dimensions 355 x 305 mm, with stainless steel grille and drain. Tap with push-button so you can fill with the exact quantity required. Direct shut-off when jug is removed. Magnetic backsplash extension (height 500 mm) on the backsplash of the Tournus base unit. The backsplash can be used both to protect the wall from splashes and as a communication medium. Jugs can be stored in the base unit away from dust at the end of service.

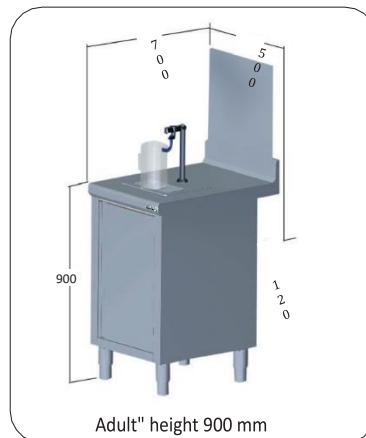
Description	Reference
Extra charge for water dispenser to be built into Tournus base unit	<u>701 830</u>

(*) except units with drawers or tilting bins.

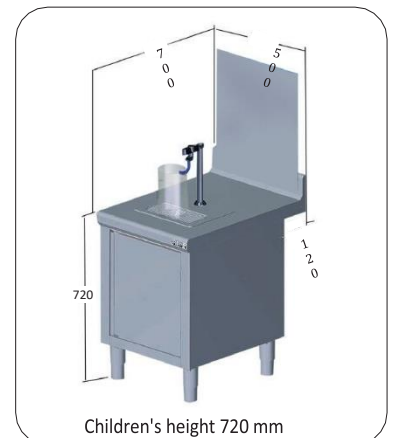


Tap with push-button

Direct shut-off when jug is removed



Adult" height 900 mm



Children's height 720 mm

WALL-MOUNTED WATER DISPENSERS

Compact, economical water dispenser. Wall-mounted. Helps increase the number of water points, especially during heatwaves. Stainless steel construction, 275 mm dia. sink, 115 mm deep. 330 mm high backplash. Stainless steel perforated grid + Tap with push-button so you can fill with the exact quantity required. Direct shut-off when jug is removed. Compact size fits into even the tightest of spaces.



Compact: fits in anywhere

Description	Dim. W x L overall (mm)	Reference
Wall-mounted water dispenser	350 x 330 x 500	<u>504 251</u>

TOURNUS
EQUIPEMENT